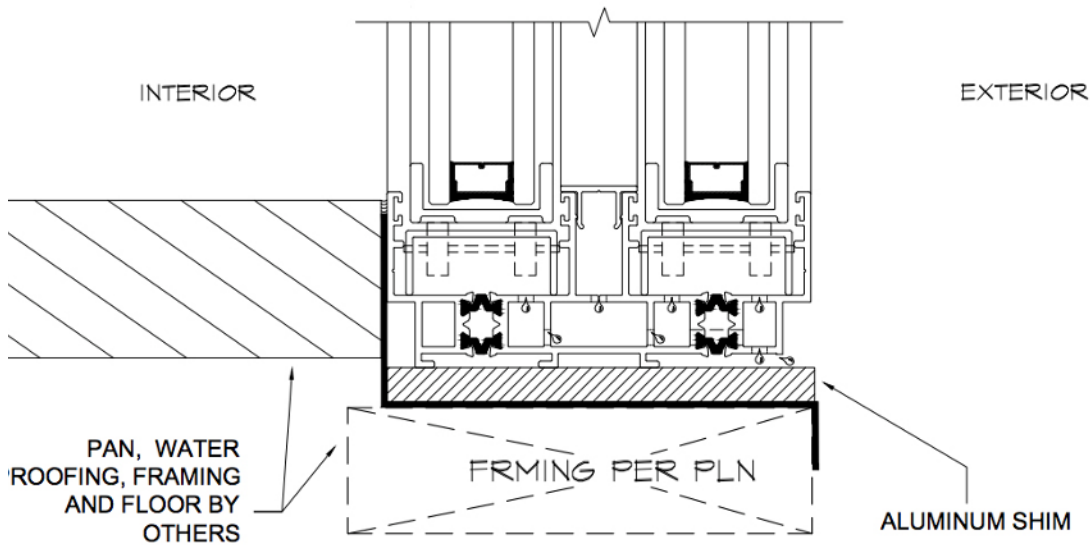


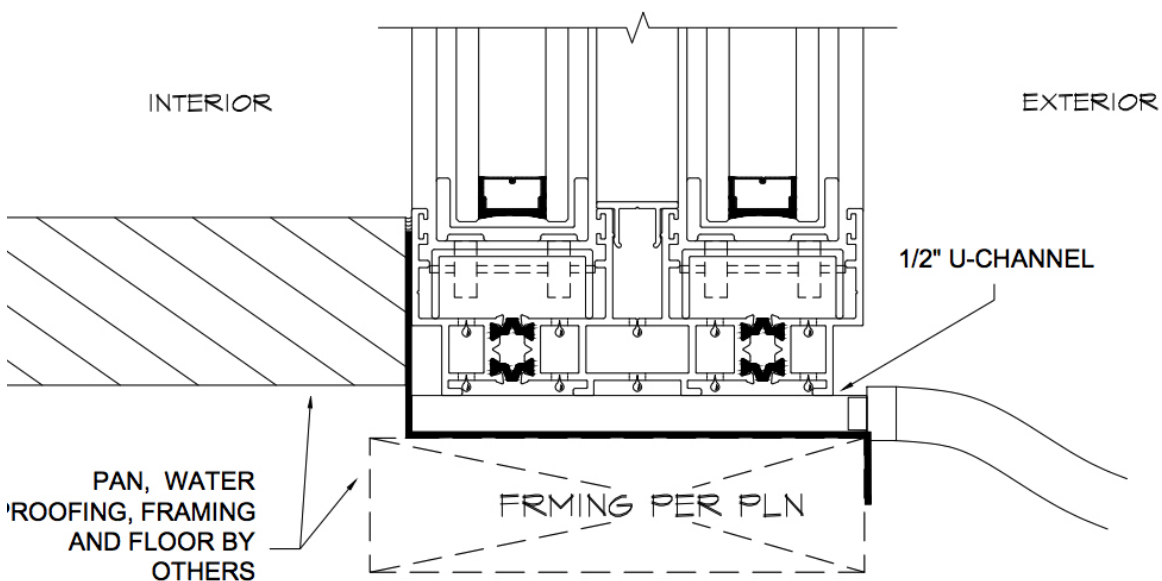
Drain Details

Thinline 2500 Series

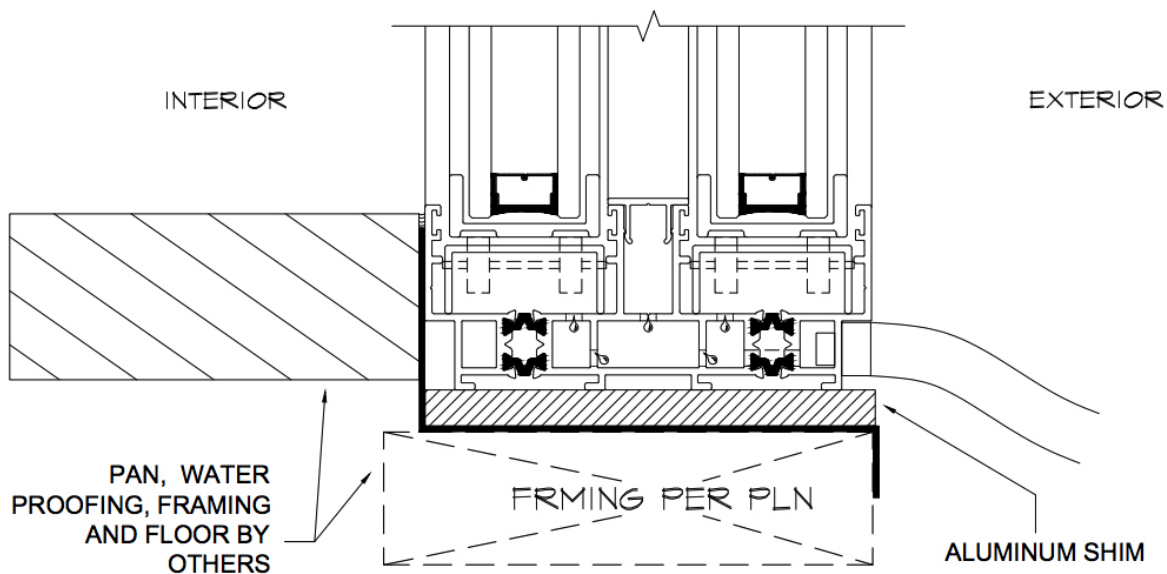
Detail 1



Detail 2



Detail 3



Detail 4

